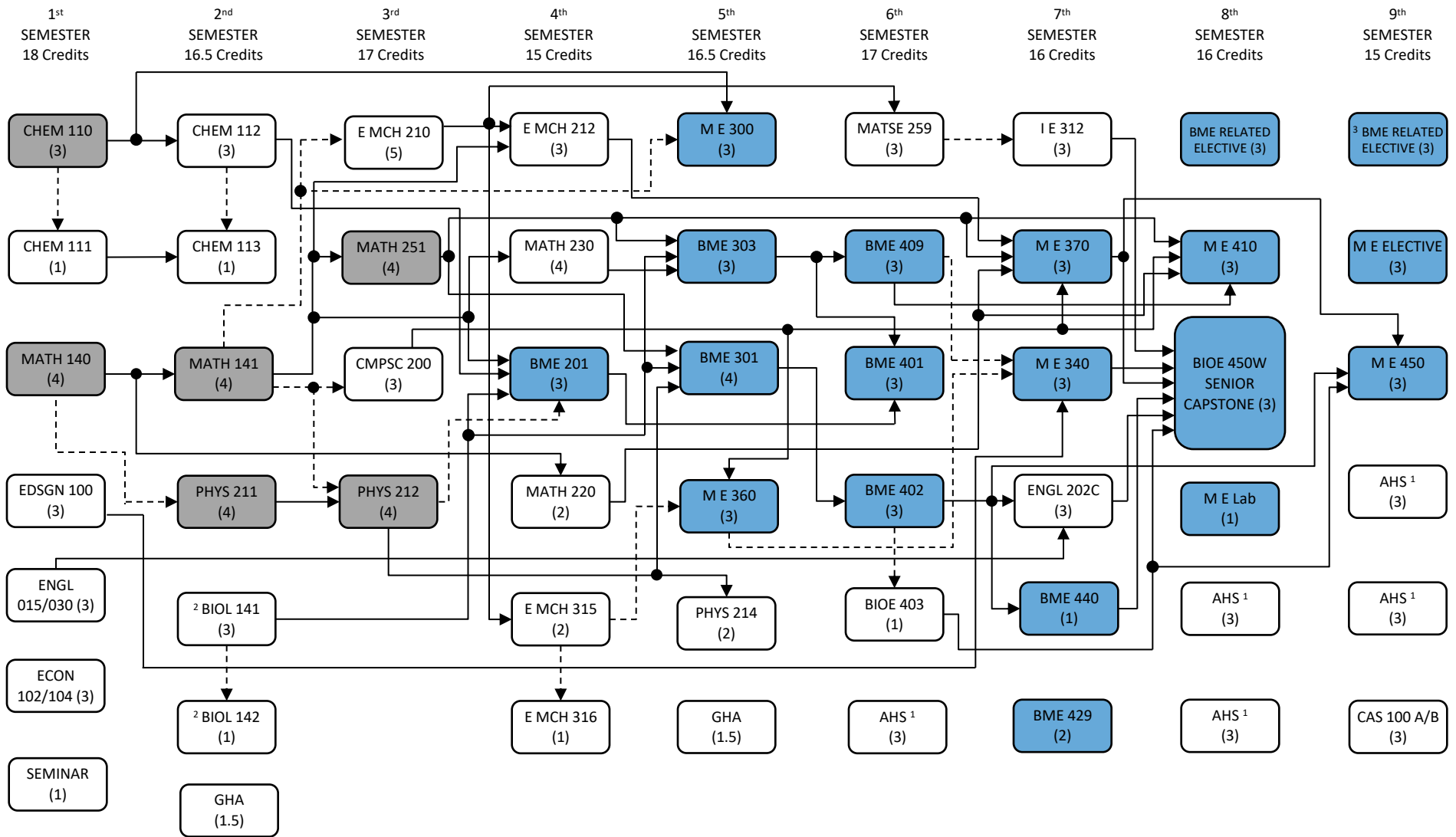


# CONCURRENT MAJOR IN BIOMEDICAL ENGINEERING & MECHANICAL ENGINEERING (9 SEMESTERS)



<sup>1</sup> US Cultures and IL Cultures requirements are satisfied in conjunction with AHS courses.  
<sup>2</sup> BIOL240W can be taken as an alternate option to BIOL 141 & 142  
<sup>3</sup> 3 credits BME Related Elective also needs to meet ME-ETE requirements  
 \*All courses in BLUE are used to calculate the in Major GPA.

—————▶ = Prerequisite  
 - - - - -▶ = Prerequisite or Concurrent