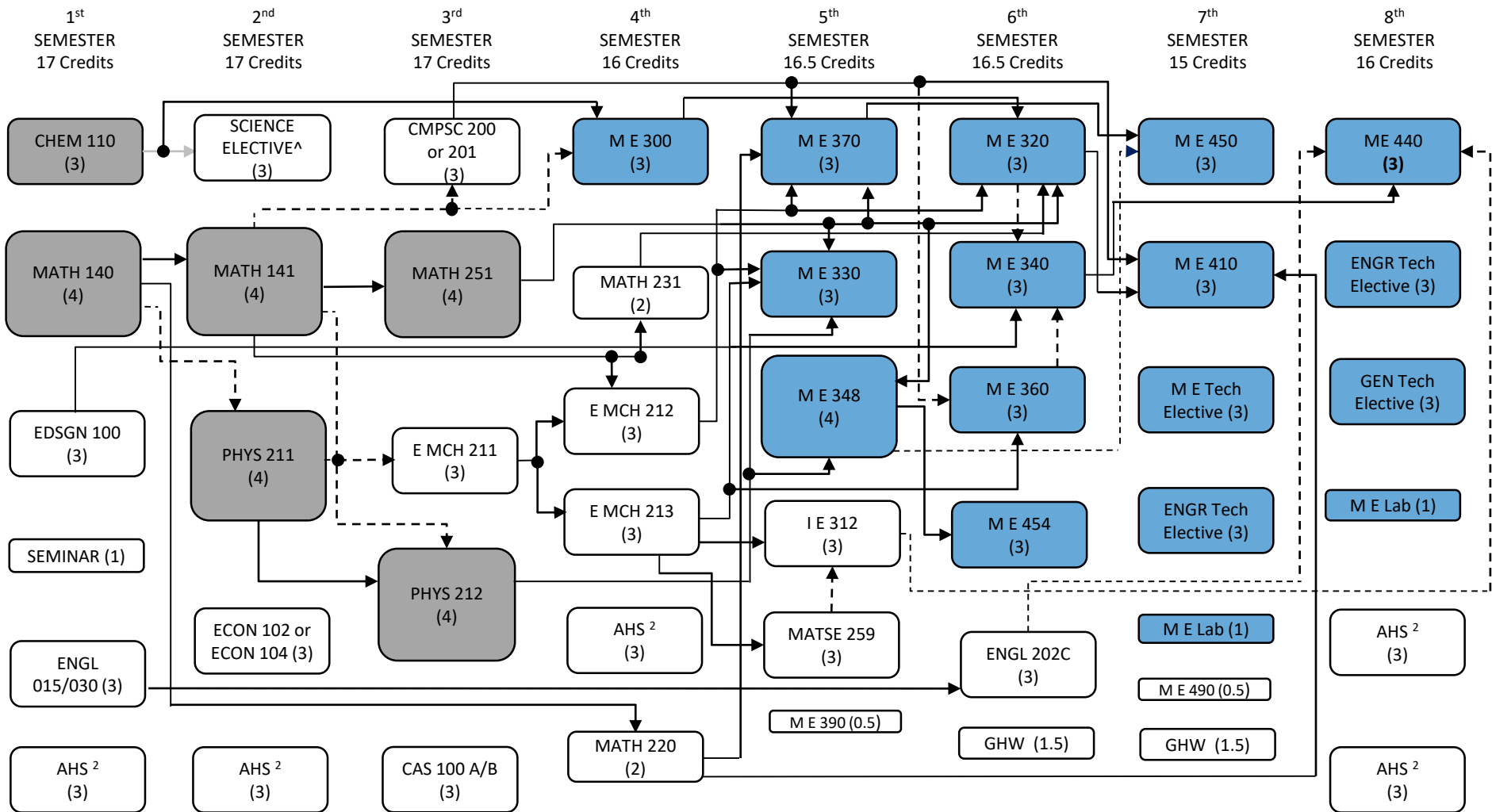


MECHANICAL ENGINEERING CURRICULUM (Option A: last Name begins with A-K)



[^] Science Elective options – CHEM 112, BIOL 141, or CHEM 111 **and** PHYS 214 – 3 total credits

E MCH 210 is not a direct substitute for E MCH 211 and 213 requirements

US Cultures & IL Cultures and **Integrative studies** requirements are satisfied in conjunction with AHS courses.

Courses shaded in **BLUE** used for the In-major GPA calculation.

Courses shaded in **GRAY** Entrance to Major requirements.