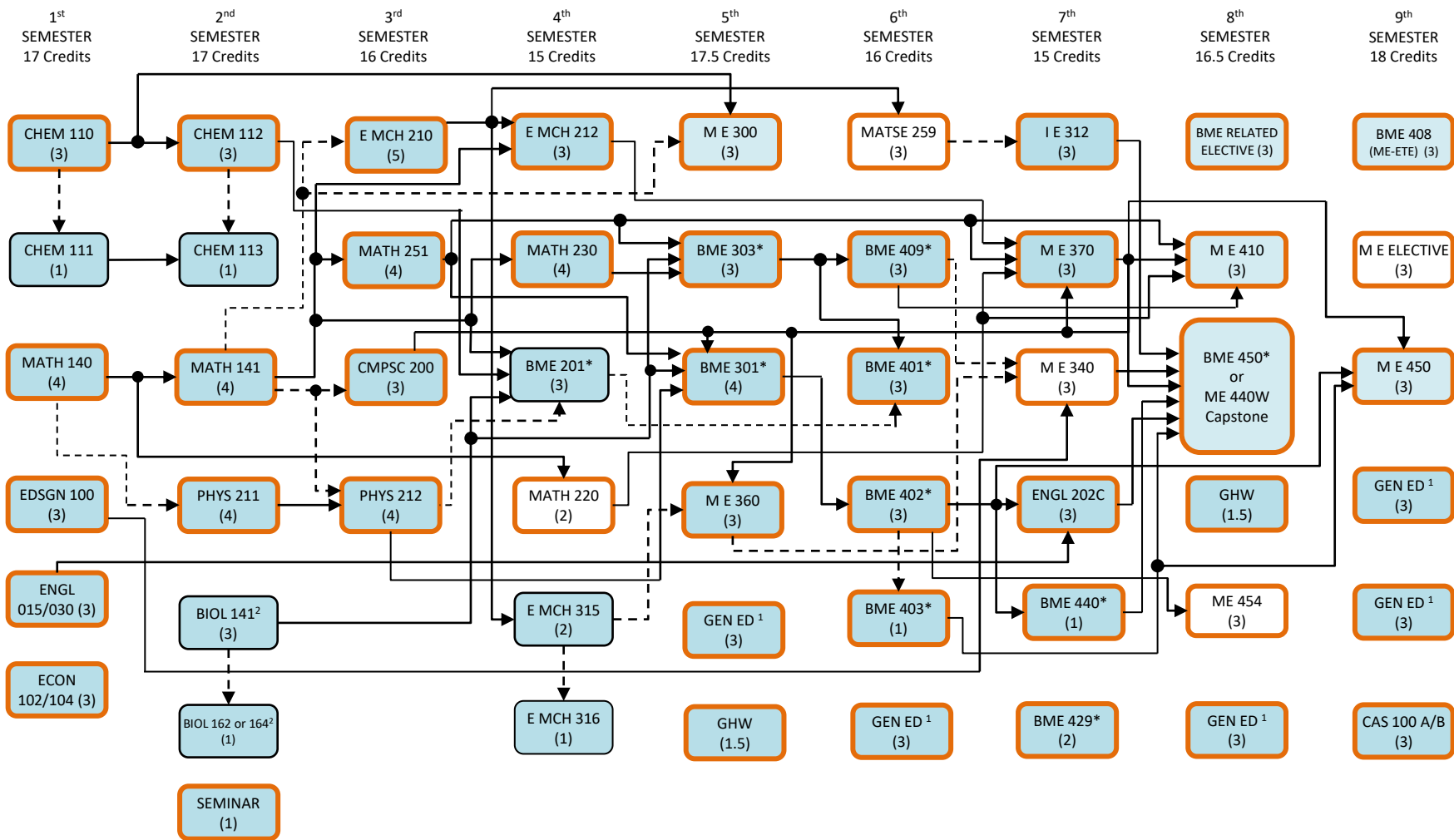


# CONCURRENT MAJOR IN BIOMEDICAL ENGINEERING & MECHANICAL ENGINEERING

## (9 SEMESTERS – 148 credits)



<sup>1</sup> US Cultures and IL Cultures and integrative studies requirements are satisfied in conjunction with gen ed courses.

<sup>2</sup> BIOL240W can be taken as an alternate option to BIOL 141 & 162 or 164

\*BME courses are offered only in the semester shown:

Fall = Odd-numbered semesters, Spring = Even-numbered semesters

—————▶ = Prerequisite      - - - - -▶ = Prerequisite or Concurrent

ME degree requirement

BME degree requirement

### ME Substitutions (for ME/BME students):

- ^ EMCH 210 and ^CHEM 111 for EMCH 211 & EMCH 213
- ^ BME 303 & BME 409 for ME 320 & ETE
- ^BME 401 for ME 330
- ^BME 402 for ME 348
- BME 440 for ME 390/490
- BME 429 and BME 403 for ME 435