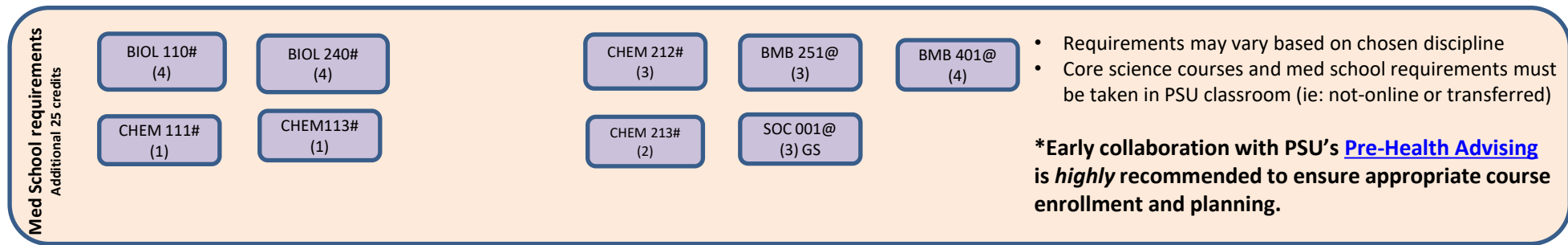
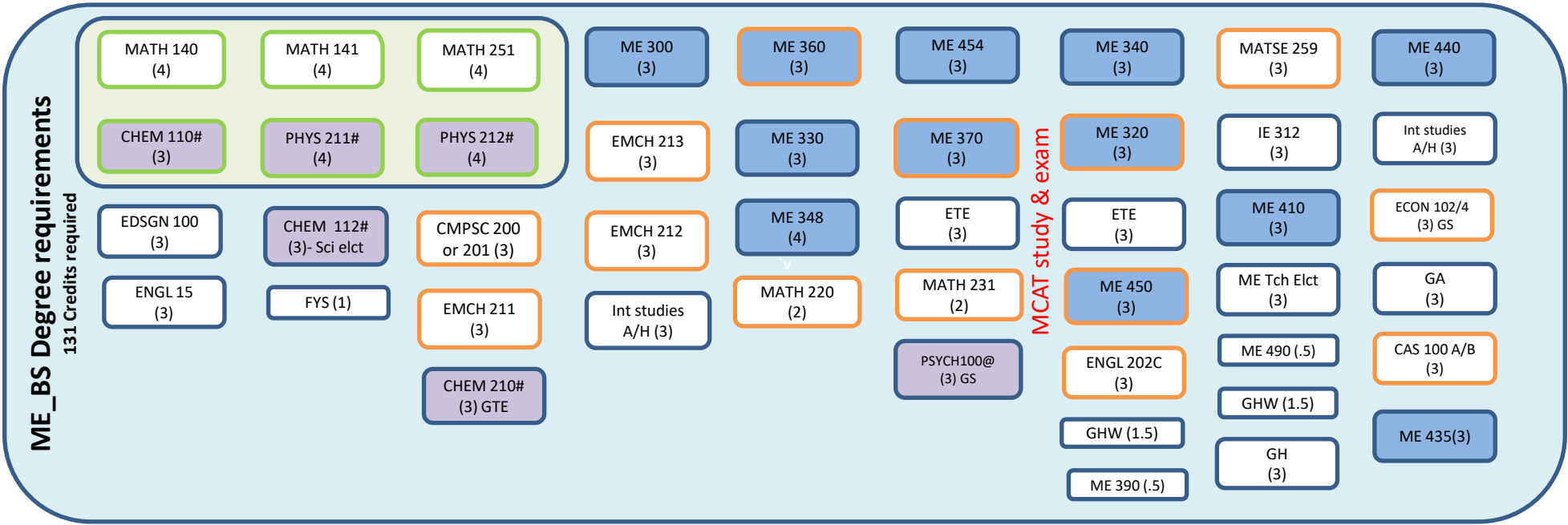


"New" MECHANICAL ENGINEERING CURRICULUM with med school requirement guide*

1st SEMESTER 18 Credits 2nd SEMESTER 17 Credits 3rd SEMESTER 17 Credits 4th SEMESTER 17 Credits 5th SEMESTER 18 Credits 6th SEMESTER 18 Credits 7th SEMESTER 17 Credits 8th SEMESTER 17 Credits 9th SEMESTER 18 Credits



Med school courses
ETM course
ME major GPA courses
Option of major course historically offered in summer

@ MCAT
 # MCAT & minimum med school requirements
 Students should be meeting with both ME adviser for degree requirements and Pre-Health adviser for med school requirements