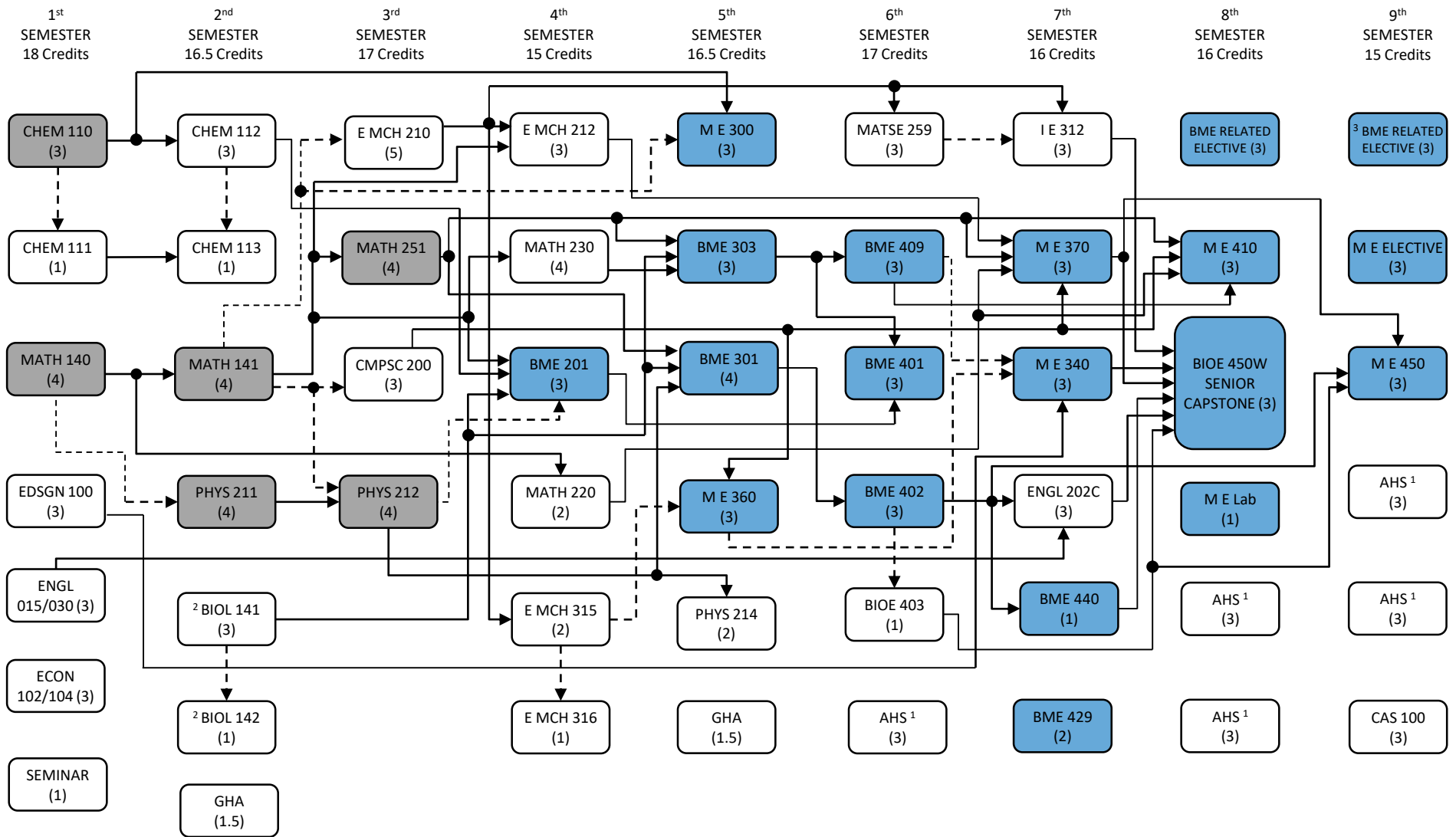


CONCURRENT MAJOR IN BIOMEDICAL ENGINEERING & MECHANICAL ENGINEERING (9 SEMESTERS)



¹ US Cultures and IL Cultures requirements are satisfied in conjunction with AHS courses.
² BIOL240W can be taken as an alternate option to BIOL 141 & 142
³ 3 credits BME Related Elective also needs to meet ME-ETE requirements
 *All courses in BLUE are used to calculate the in Major GPA.

—————> = Prerequisite
 - - - - -> = Prerequisite or Concurrent