

ME 481 Computer-Aided Analysis of Mechanical Systems

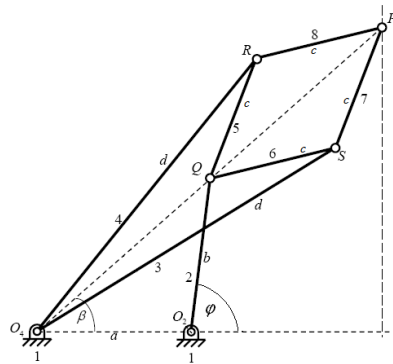
Spring 2022

M W F 11:15-12:05 316 Leonhard

H.J. Sommer, 301C Reber, hjs1@psu.edu

Syllabus available at www.me.psu.edu/sommer/me481

- How does Working Model actually work?
- Will topology analysis help determine mobility?
- Does a Wanzel needle bar mechanism have one, two or three loops?
- Experimental kinematics?
- Can virtual work really help solve both statics and dynamics?
- What is a torsional pendulum?
- Predictor-corrector time integration?



For the answers to these questions as well as many others about computer-aided analysis of 2D mechanical systems,

check out ME 481.

ME 480 is not a prerequisite.